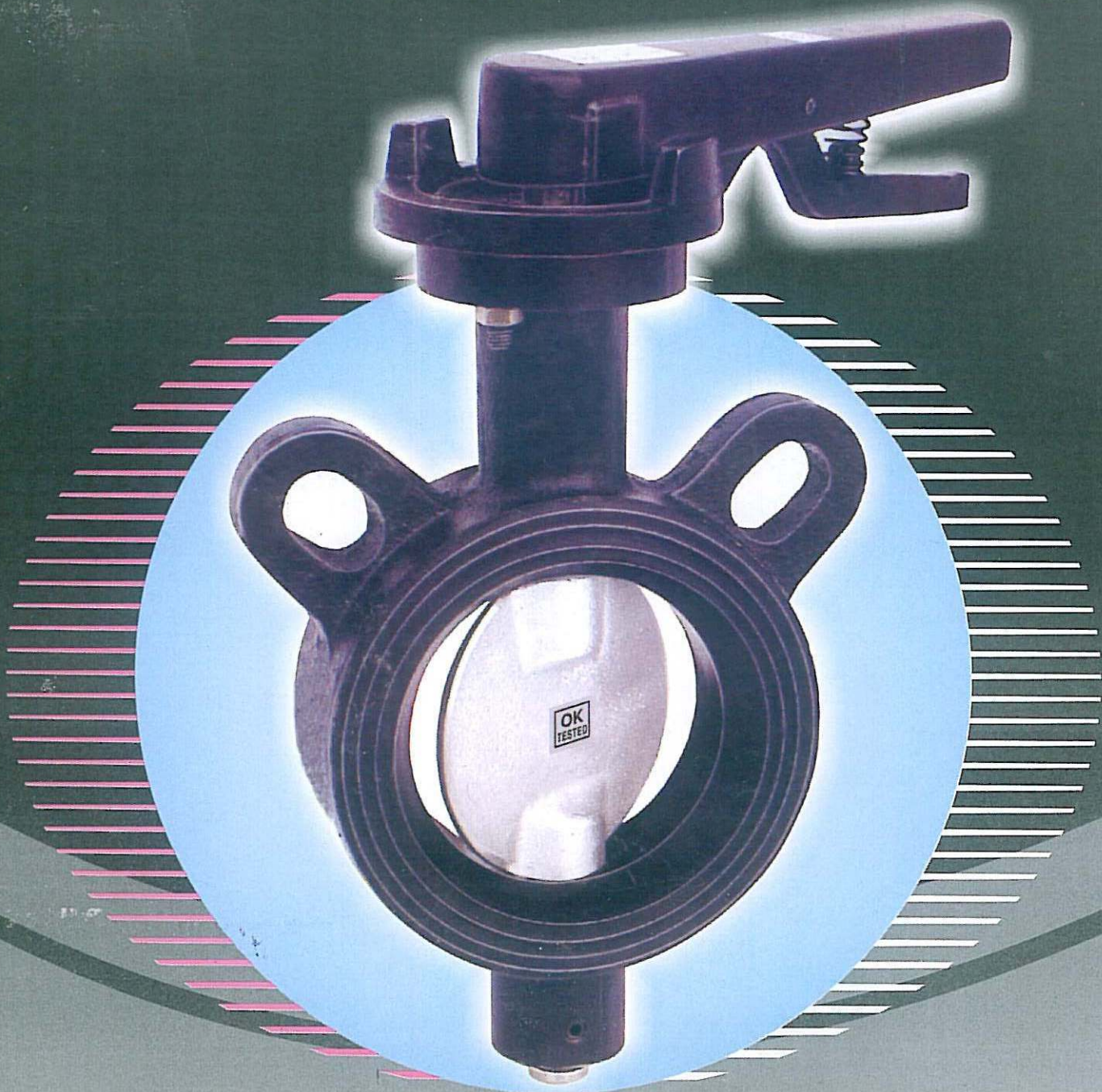


AN ISO-9001:2000 CERTIFIED CO.



Butterfly Valve

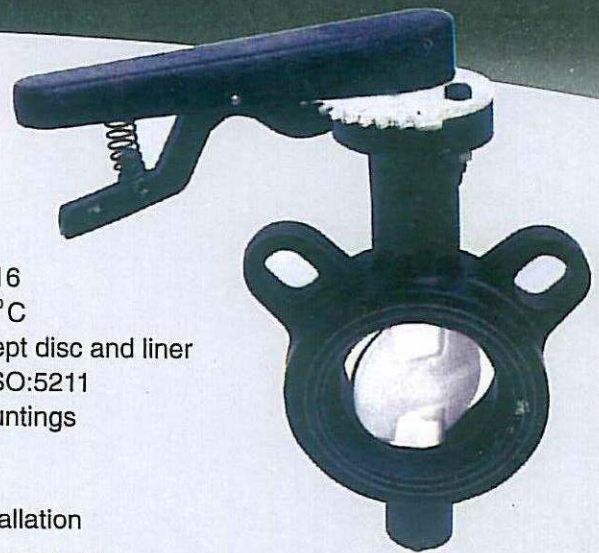
I.S : 13095 Wafer Type





Butterfly Valve Wafer Type

BVI OR KABIR Butter Fly Valves is the only Wafer type Butterfly Valve with its seat moulded in-situ, using a process similar to Vulcanising.



Applications :

Paper & Pulp Industry, Waste & Effluent Treatment Plants, Water Treatment, Chemical & Sugar Industry, Fire Fighting, Drilling Rigs, Heating & Air Conditioning, Cooling Water Circulation, Compressed Air, Civil Constructions & numerous other applications.

Features :

- ❖ DN 40 to DN 300, PN 10 & PN 16
- ❖ Temperature range : 5°C to 150°C
- ❖ No part in contact with fluid except disc and liner
- ❖ Mounting Flange according to ISO:5211
- ❖ Suitable for actuator & gear mountings
- ❖ Design Reference IS: 13095
- ❖ 100% leak tight design
- ❖ Compact design to facilitate installation

Material Specifications :

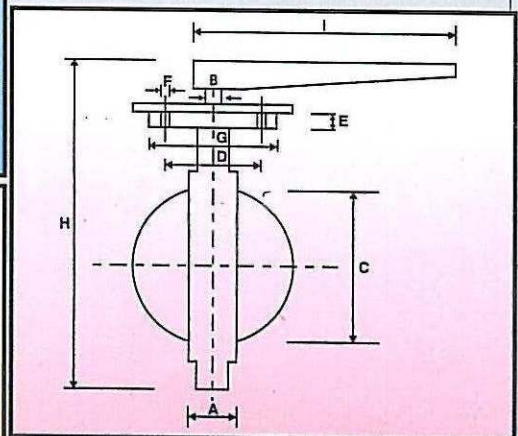
Component	Material	IS Referred	Grade
BODY	Cast Iron	210 : 1978	FG 200, Min
LOCK PLATE HANDLE & LEVER	SG Iron, Carbon Steel	1865 : 1991 -	450/10
DISC	SG Iron Stainless Steel	1865 : 1991 ASTM A351	450/10 CF-8/CF-8M
SHAFT	Carbon Steel Stainless Steel	1570 (Part-20 : 1979)	EN-8 AISI-410
SEAT	Elastomers	-	Nitrile, EPDM, Silicon Neoprene (Rubber)
BEARING	Teflon	-	-
BOLTINGS	Carbon Steel	IS : 1363	High Tensile

Hydrostatic Test Pressure (Bar)

Series	Seat	Body
PN10	10	14
PN16	16	22

Suggested operation :
Upto 200 mm : Hand Lever
Over 200 mm : Gear

Note : For temperatures ranging above 150°C to 210°C, SILICON RUBBER and temperatures bellow 5°C to -10°C, special Nitrile rubber, recommended & provided.



Sizes		Mounting Flange										
Inches	mm	A	B	C	D	E	F	G	H	I	J	K
1½	40	32	13	40	50	14	7	65	210	170	5	6
2	50	42	13	51	50	17	7	65	230	170	6	7
2½	65	44	13	65	50	17	7	65	260	170	7	9
3	80	44	15	81	50	17	7	65	270	195	10	13
4	100	50	15	103	50	17	7	65	310	195	12	18
5	125	56	19	125	70	17	9	90	335	320	20	31
6	150	56	19	153	70	17	9	90	360	320	35	50
8	200	60	19	201	70	19	9	90	440	320	65	88
10	250	68	24	253	102	22	11	125	540	450	130	---
12	300	78	24	300	102	22	11	125	580	450	235	---

★ J & K - Operational Torques (Nm) for PN 10 & PN 16 Valves under Static Conditions.

★ Lower operational torques for lesser wear & tear and much enhanced life.

BIR VALVES INDUSTRY

G.T. Road, Bye Pass, Maqsudan,
Jalandhar - 144 008 (India)

Ph. : (0) 0181-2670777, 5199818

Fax : 0181-2670777 (Resi.) 5095784