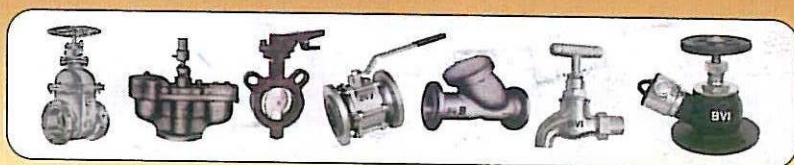
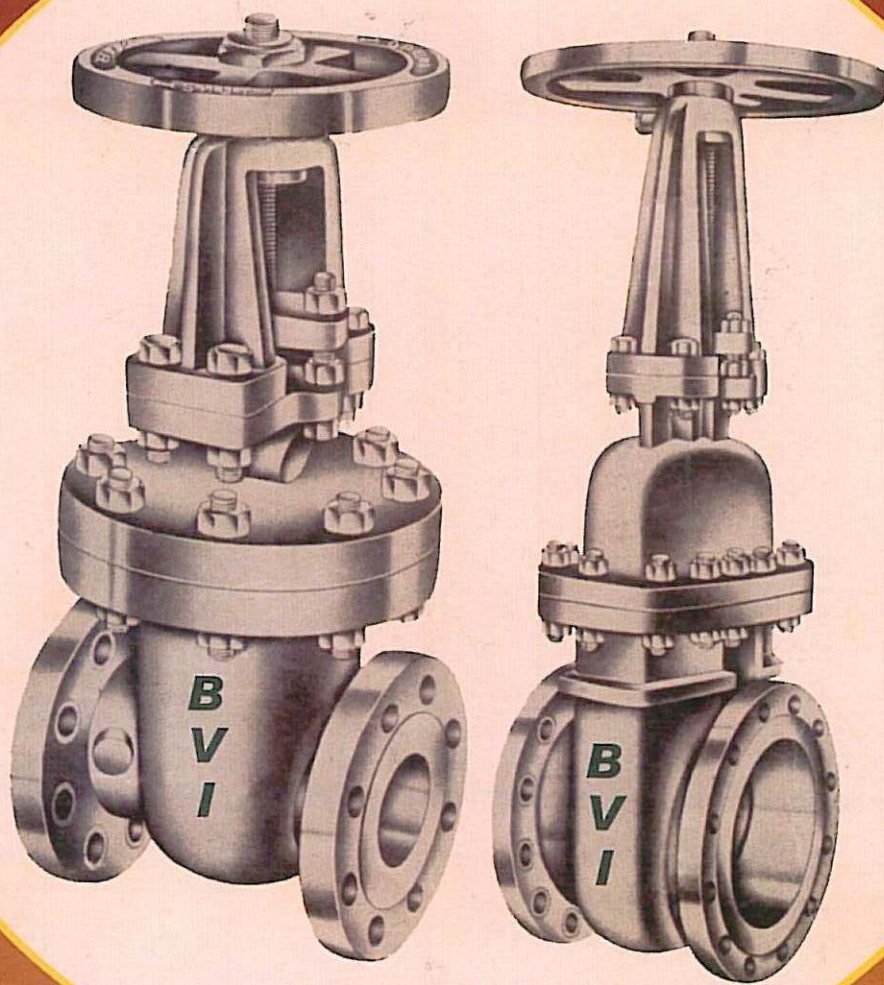


“BVI”
MAKE

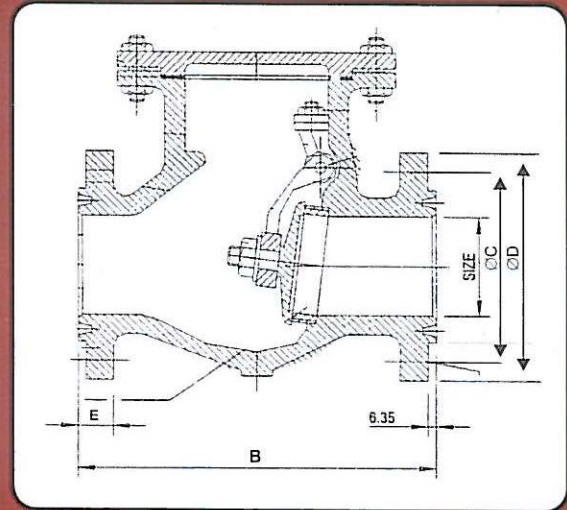
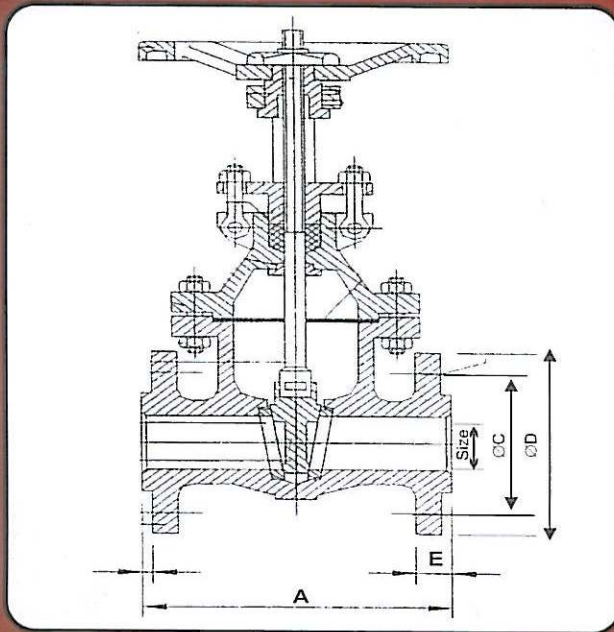
CAST STEEL
GATE VALVES
I.S. 10611

CHECK VALVES
I.S. 10989



"BVI" MAKE

C.S. GATE VALVES } CL. 150, 300 & 600
C.S. CHECK VALVES }



Size in mm	GATE VALVES FLANGE TO FLANGE (A)			CHECK VALVES FLANGE TO FLANGE (B)			FLANGE OD (D)			FL-THICKNESS (E)			RAISED FACE	PCD (C)			No. of Holes		
	150	300	600	150	300	600	150	300	600	150	300	600		150	300	600	150	300	600
	40	165	190	241	165	241	241	127	156	156	14.5	21		22.5	73	98.4	114	114	4
50	178	216	292	203	267	292	152	165	165	16	22.5	25.5	92	121	127	127	4	8	8
65	190	241	330	216	292	330	178	191	191	17.5	25.5	29	105	140	149	149	4	8	8
80	203	283	356	241	318	356	191	210	210	19.5	29	32	127	152	168	168	4	8	8
100	229	305	432	292	356	432	229	254	273	24	32	38.5	157	191	200	216	8	8	8
125	254	381	508	356	----	----	254	279	330	24	35	44.5	186	216	235	267	8	8	8
150	267	403	559	356	445	559	279	318	356	25.5	37	48	216	241	270	292	8	12	12
200	292	419	660	495	533	660	343	381	419	29	41.5	56	270	298	330	349	8	12	12
250	330	457	787	622	622	787	406	445	510	30.5	48	63.5	324	362	387	432	12	16	16
300	356	502	838	699	711	838	483	520	560	32	51	67	381	432	451	489	12	16	20
350	381	762	889	787	838	864	535	585	605	35	54	70	413	476	514	527	12	20	20
400	406	838	990	864	864	----	595	650	685	37	57.5	76.5	470	540	572	603	16	20	20
450	432	----	----	----	----	----	635	710	745	40	60.5	83	534	578	629	654	16	24	24

MATERIAL

- | | |
|---|--|
| 1. BODY, BONNET, YOKE, SEAT
DISC & COVER ETC | CAST STEEL
IS 2836 / OR 2850 GR.2 |
| 2. STEM, RINGS, YOKE BUSH
HINGE PIN - BACK SEAT BUSH | STAINLESS STEEL
IS 6603 GR 12 CR13 |
| 3. GASKET | COMPRESSED
ASBESTOS FIBRE-TOS FIBRE |
| 4. HAND WHEEL | MALLEABLE IRON |

TEST PRESSURE

CLASS	BODY	SEAT
150	425 PSIG	300 PSIG
300	1100 PSIG	750 PSIG
600	2175 PSIG	1500 PSIG

BIR VALVES INDUSTRY

Works:- G.T. Road Maqsoodan, Jalandhar-144 008

Showroom : 6, Chowk Bhagat Singh, Jalandhar-144 001

Office : 0181-2670777, 3290977, Show Room : 2223706

M : 094172-40777, 094170-49818, 094172-88777 E-mail : birvalves@yahoo.in